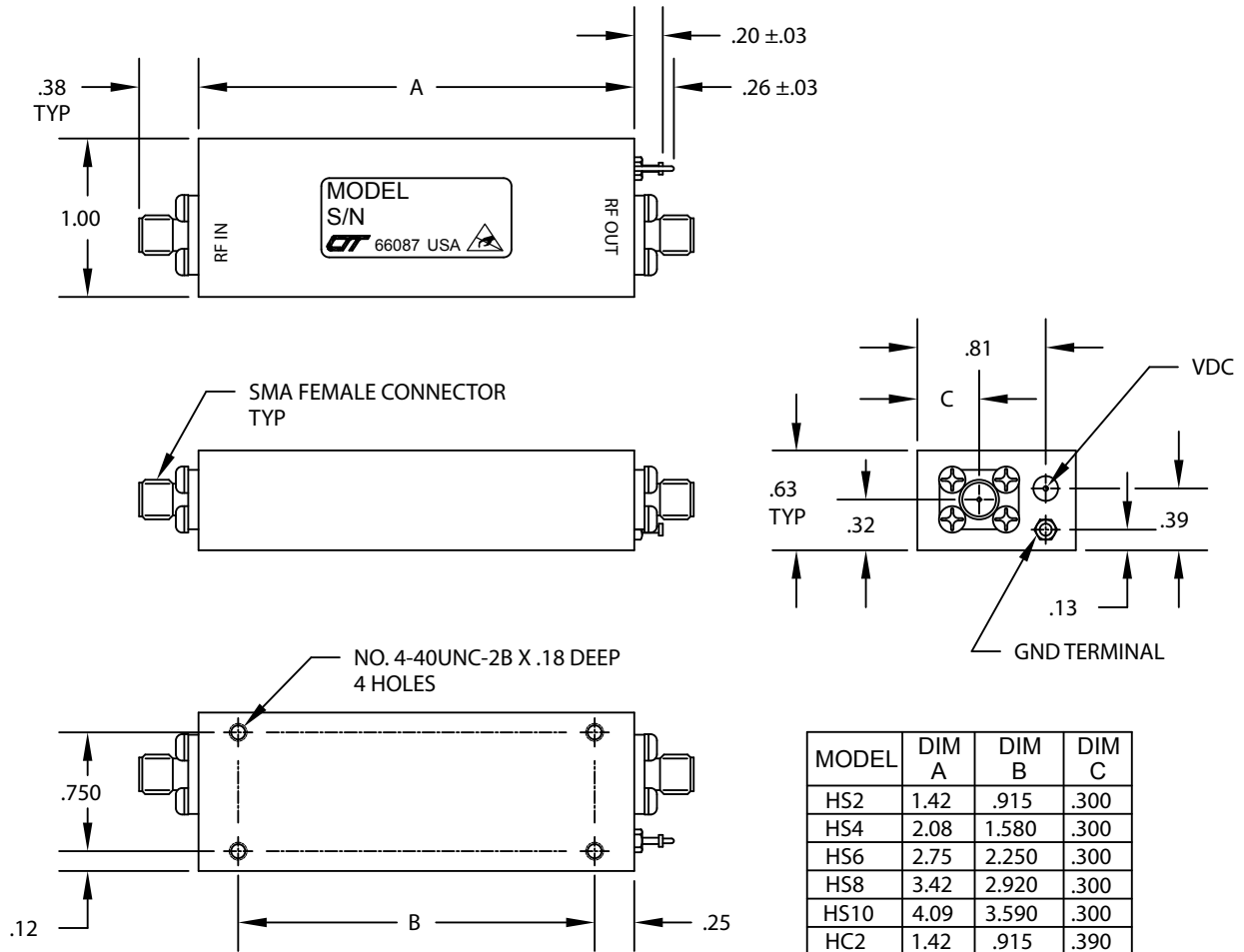


H Series



- NOTES:
1. ALL DIMENSIONS ARE IN INCHES.
 2. CTT DRAWING 105000586.

MODEL	DIM A	DIM B	DIM C
HS2	1.42	.915	.300
HS4	2.08	1.580	.300
HS6	2.75	2.250	.300
HS8	3.42	2.920	.300
HS10	4.09	3.590	.300
HC2	1.42	.915	.390
HC4	2.08	1.580	.390
HC6	2.75	2.250	.390
HC8	3.42	2.920	.390
HC10	4.09	3.590	.390
HX2	1.25	.750	.435
HX4	1.75	1.250	.435
HX6	2.25	1.750	.435
HX7	2.50	2.000	.435
HX8	2.75	2.250	.435
HX10	3.25	2.750	.435
HX12	3.75	3.250	.435



5870 Hellyer Ave, Suite 70, San Jose, CA 95138

Tel: (408) 541-0596 Fax: (408) 541-0794

Email: ctt_sales@kratosdefense.com

Website: www.cttinc.com