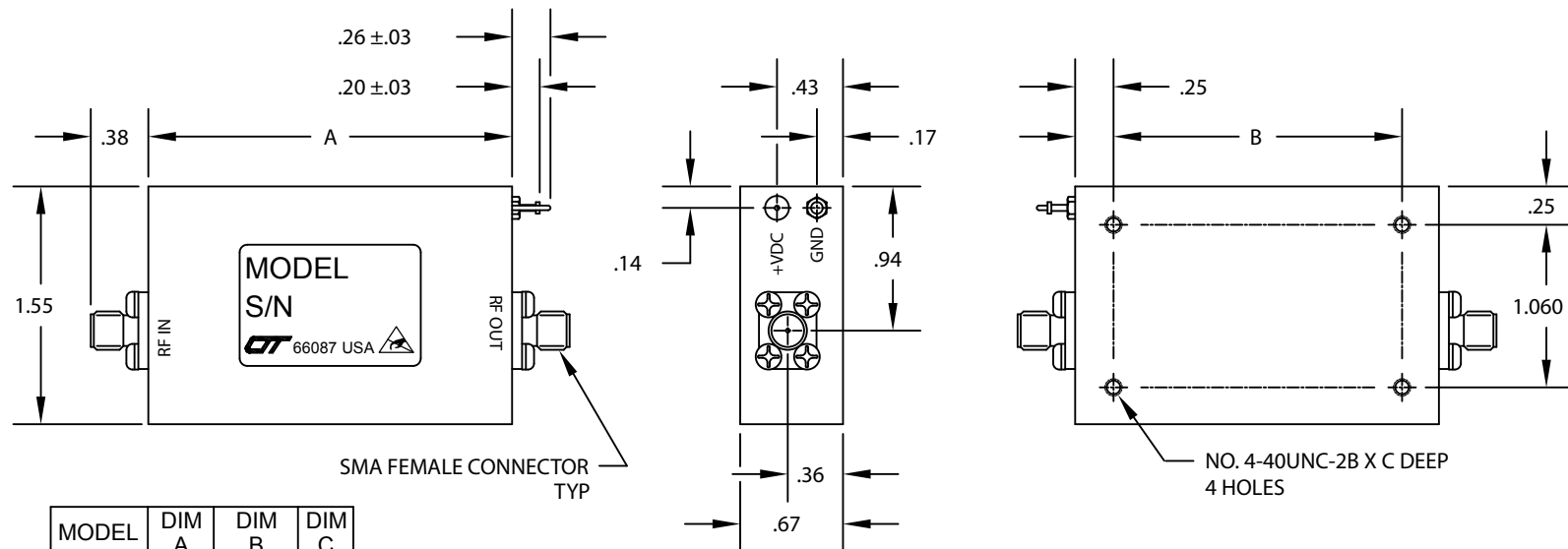


HDX Series



| MODEL | DIM A | DIM B | DIM C |
|-------|-------|-------|-------|
| HDX6 | 2.37 | 1.880 | .10 |
| HDX8 | 2.88 | 2.390 | .15 |
| HDX10 | 3.39 | 2.900 | .15 |
| HDX12 | 3.90 | 3.410 | .15 |

NOTES:

1. ALL DIMENSIONS ARE IN INCHES.
2. CTT DRAWING 105007440



5870 Hellyer Avenue, Suite 70 • San Jose • California 95138
 Phone: 408-541-0596 • Fax: 408-541-0794
 www.cttinc.com • E-mail: sales@cttinc.com